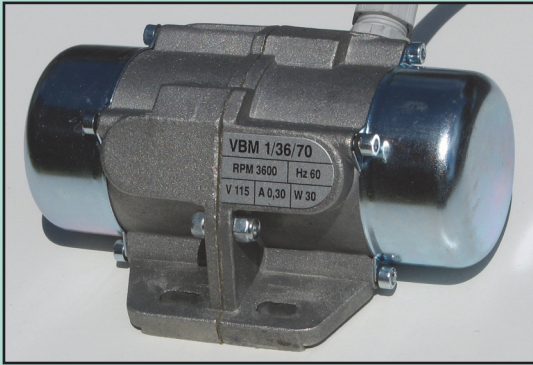


VBM Micro Vibrator



The VBM has been designed for all the applications where only a light force is required.

Ideal for feeding, screening and compacting in pharmaceutical, food and chemical applications.

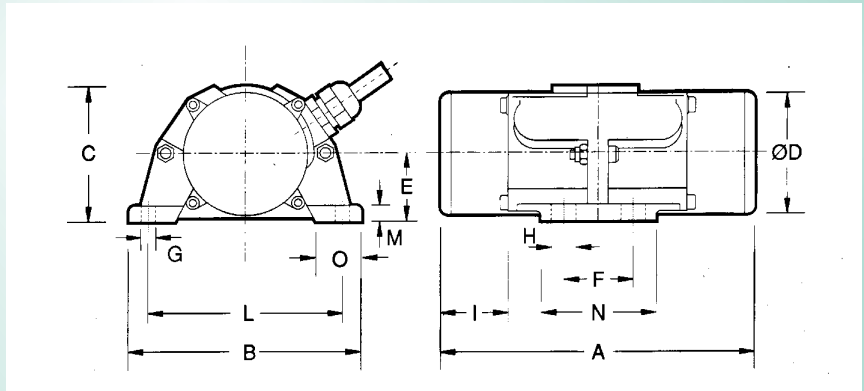
Lower noise (60 dba) and lower consumption (40 watts) makes it a viable alternative to many pneumatic vibrators.

PERFORMANCE DATA

MODEL	PHASE	VOLTAGE		FREQUENCY		FORCE OUTPUT		UNBALANCE		HP		AMP DRAW	WEIGHT
		volts	Hertz	vpm	lbs	Kg	in-lbs	h.p.	Watts	Amps	lbs		
VBM 1/36/70	1	115	60	3600	68	32	0.19	0.040	30	0.25	3.5		
VBM 1/36/70	1	220	50	3000	48	22	0.19	0.033	25	0.15	3.5		
VBM 3/36/70	3	230	60	3600	68	32	0.19	0.056	42	0.29	3.5		
VBM 3/36/70	3	460	60	3600	68	32	0.19	0.056	42	0.15	3.5		

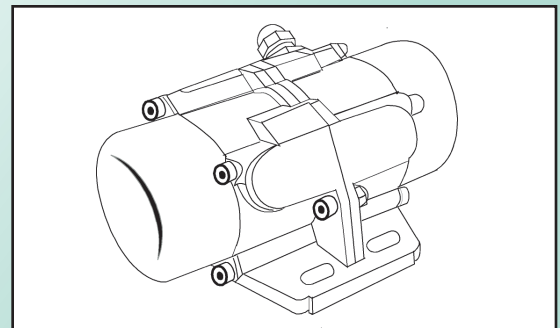
DIMENSIONS

MODEL	VBM 1/36/70	VBM 3/36/70
A	5.75	5.75
B	4.37	4.37
C	2.64	2.64
D	2.40	2.40
E	1.30	1.30
F	1.26	1.26
G	0.28	0.28
H	0.51	0.51
I	1.26	1.26
L	3.62	3.62
M	0.35	0.35
N	2.13	2.13
O	0.83	0.83



CE Compliant

*It comes standard with capacitor and a 5' cable.
Force is adjustable from 11 to 68 lbs
(when used at 60 Hz)*




Chicago Vibrator Products
Flow and Compaction

Division of CVP Group
800-842-7284 (P)
866-247-7538 (F)
 Solutions@ChiVib.com
 www.ChicagoVibrator.com